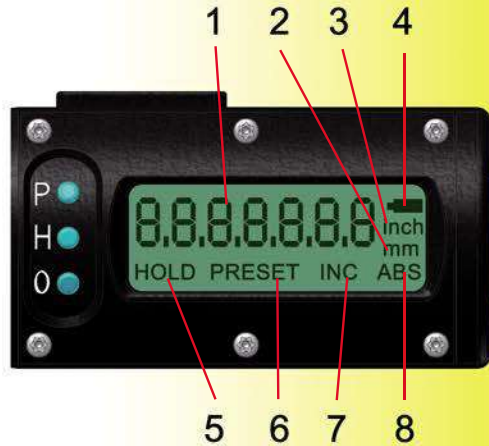


1. Displays numeric 8 digit
2. Displays mm - Mode
3. Displays inch - Mode
4. Change battery



5. Display in Hold - Mode
6. Preset - Mode only by programming
7. Displays Incremental - Mode (INC)
8. Displays Absolut - Mode (ABS)

### Function of the 0-button :

**Absolut-Mode (ABS)**  
Press 0-button will take over the Preset value.



**Incremental-Mode (INC)**  
Press 0-button will take over the 0.000.



**Program-Mode (Preset)**  
Press 0-button will save and quit the program menu.

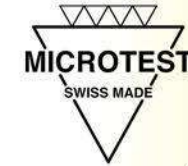


### Battery exchange:

1. Wireless or cable interface **must** be removed. Use the enclosed Torx screw driver.
2. Unscrew and remove Cover with the enclosed Torx screw driver. Now remove the Battery.
3. Insert a new CR2032 Battery with the plus looking upward.
4. Check the gasket position before you mount the cover.
5. Tighten the screws carefully!

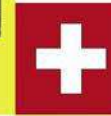


## Instruction Manual MICROTEST Digital Internal Micrometer



**MICROTEST®**

Your Partner  
for Precision  
Measuring Instruments



### Function of the H-button:

Press H-button less than 2 sec. will set display on hold.



Press H-button more than 2 sec. will send the measurement to the PC.



Press H-button less than 2 sec. will exit the hold mode if necessary.



### Function of the P-button:

Press P-button less than 2 sec. switch between INC and ABS mode.



Press P-button more than 2 sec. will activate the Program-Mode.



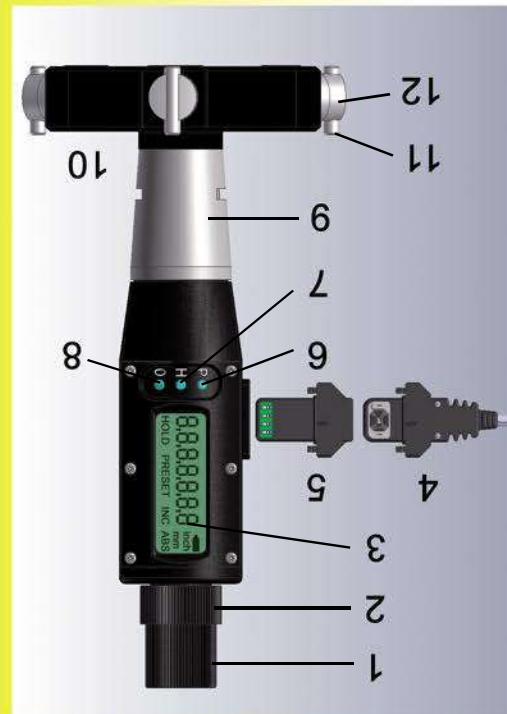
Press H-button to change setting.



Press P-button less than 2 sec. for next step.



Auto-Power-Off-Time setting for permanent operation (0) till 199 minutes. Press 0-button to save and quit mode.



1. Ratchet
2. Pullback screw
3. High contrast display
4. Wired interface (optional)
5. Wireless interface (optional)
6. Program-button or switch between INC / ABS
7. Hold/Send-button
8. 0-button set zero in INC-Mode or ABS-Mode
9. Connection-Shaft
10. Measuring head
11. Tungsten carbide pins
12. Measurement probes

### Description: